

BEFORE YOU BEGIN

Read these instructions and check to be sure all parts and tools are accounted. Please retain these installation instructions for future reference.

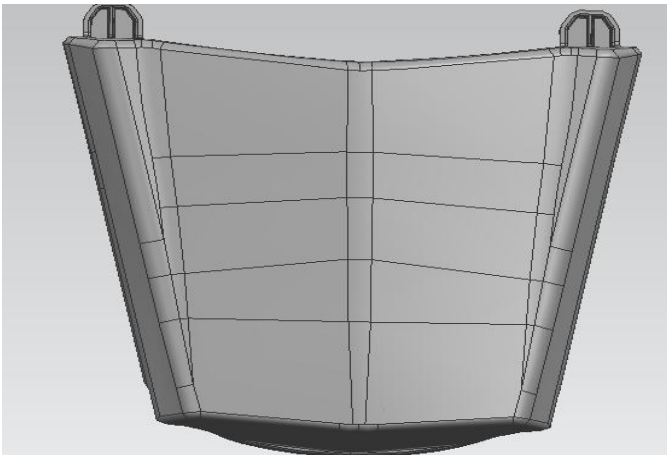
IMPORTANT

This DASH COVER-CAB INTERIOR KIT is exclusively designed for your vehicle. Please read the installation instructions thoroughly before beginning. Installation is easier if the vehicle is clean and free of debris.

Note: Please refer to the installation video in the Amazon listing before your installation, or contact the seller for the installation video.

INSTALLATION INSTRUCTIONS

1. Shift vehicle transmission into "PARK". Turn key to "OFF" position and remove from vehicle.
2. Product image.



3. First, remove the center panel from the vehicle's dashboard. When installing the new panel, insert the front retaining clip into the corresponding slot. Then, hold the panel flat and press down firmly until the ball-shaped tab at the rear of the panel snaps into the rubber hole.



4. Installation complete.

