

Console Cap Dash Kit for Can-Am Outlander 570

SAUTV5

YAP-030603-283

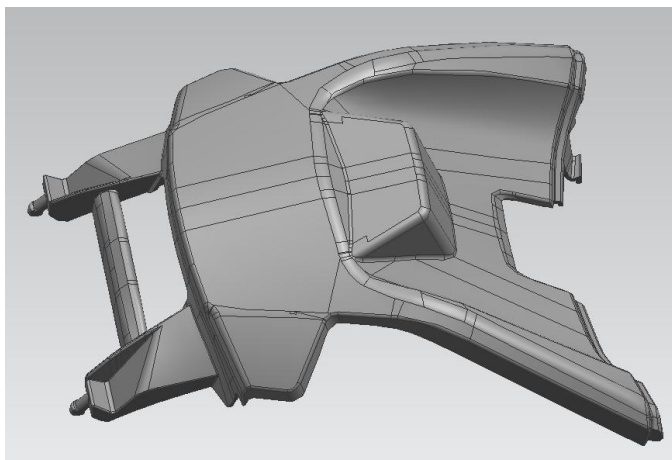
BEFORE YOU BEGIN

Read these instructions and check to be sure all parts and tools are accounted. Please retain these installation instructions for future reference.

This *Console Cap Dash Kit* is exclusively designed for your vehicle. Please read the installation instructions thoroughly before beginning. Installation is easier if the vehicle is clean and free of debris.

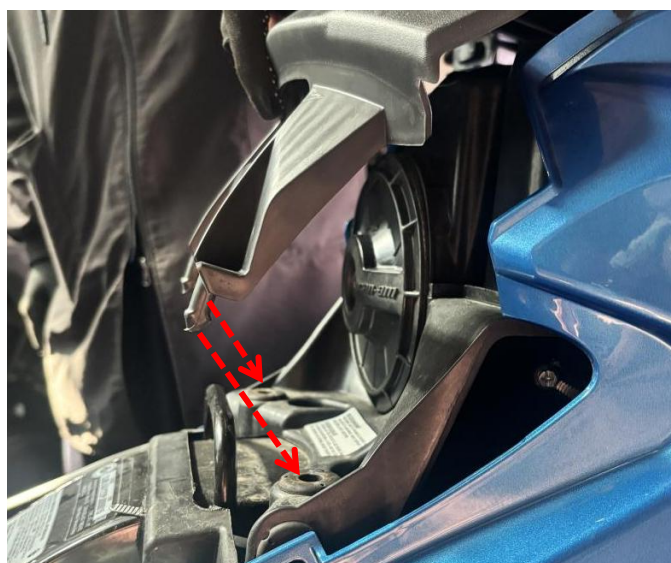
Note: Please refer to the installation video in the Amazon listing before your installation, or contact the seller for the installation video.

PRODUCT



INSTALLATION INSTRUCTIONS

1. Shift vehicle transmission into "PARK". Turn key to "OFF" position and remove from vehicle.
2. Open the seat cushion, then pull the ball stud under the original front cover out of the rubber grommet to remove it. When installing the new cover, first align the front locating tabs with the original vehicle's slots until you hear a "click" sound. Then, insert the rear ball stud into the original rubber grommet. As shown:



Console Cap Dash Kit for Can-Am Outlander 570

YAP-030603-283

SAUTV5

3. The installation is complete.

